

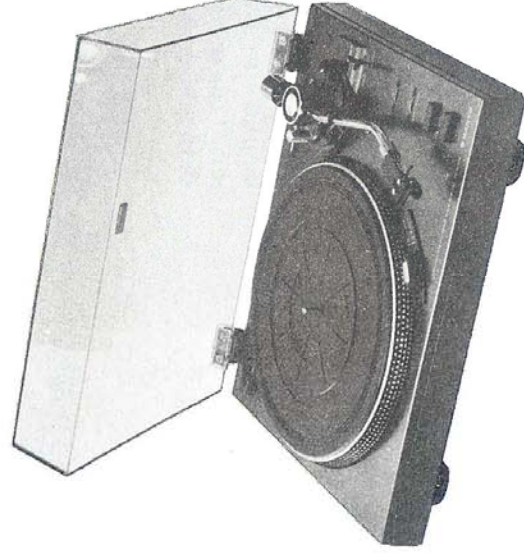
SERVICE MANUAL



STEREO TURNTABLE

TP1010

(U.S.A.)



SPECIFICATIONS

Motor	PLL servomotor	Stylus pressure	1.5 — 2.5 g.
Drive system	Belt drive	Frequency response	20 — 20,000 Hz
Speeds	33-1/3 and 45 rpm	Overhang	15 mm
Speed control range	Individual controls: $\pm 4\%$	Channel separation	Better than 25 dB
Speed change	Electronic type	Power source	AC: 120V 60Hz
Wow & flutter	0.05% WRMS	Power consumption	7 W
Signal to noise ratio	Better than 60dB	Dimensions	Approx: 17-1/2"(W) x 5-5/8"(H) x 14-1/4"(D)
Turntable platter	12" (30.5 cm)	Weight	Approx. 10 lbs. 2 ozs. (4.6 kg)
Tone arm	1 lbs. 5 ozs. (0.6kg)		
Tracking error	Static-balance type		
Tracking force range	$\pm 1.5^\circ$		
	0 — 4 g.		

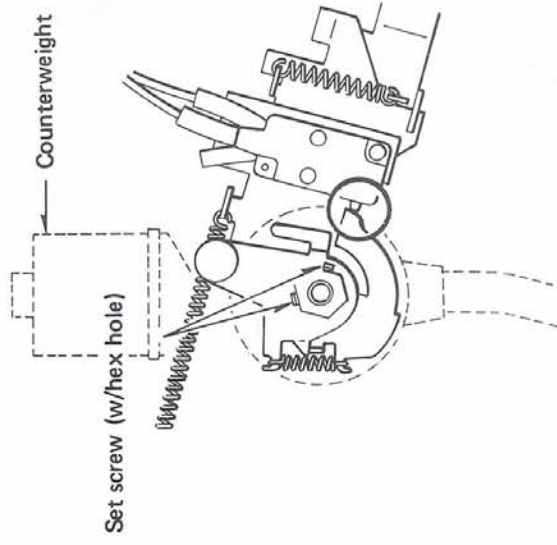
* Specifications and design are subject to change without notice.

ADJUSTMENT

ADJUSTMENT OF TONEARM LEVER

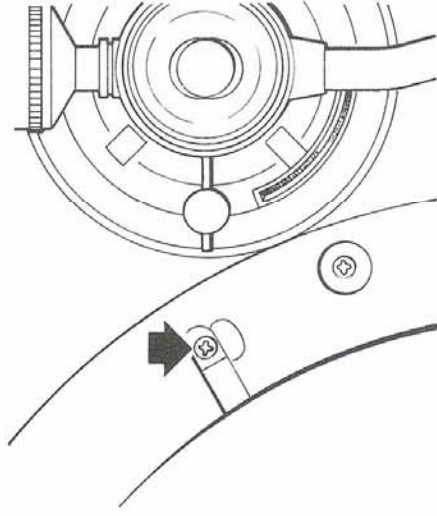
Set the turntable unit upside down after putting the tonearm on the arm rest and securing it.

Then, loosen the set screw (w/hex hole) and position the lever (M14) in such a way that the protrusion of the micro-switch contacts the foremost end of the lever.



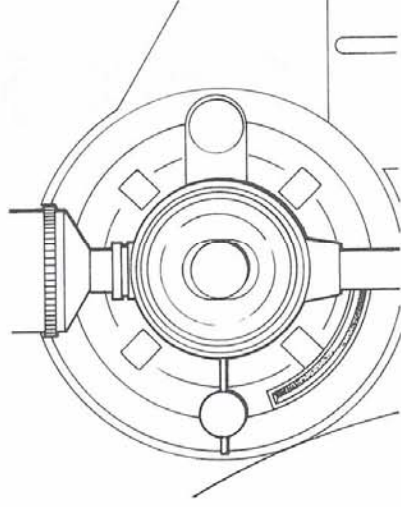
ADJUSTMENT OF MICRO-SWITCH

Set the turntable unit back in its normal position (the turntable platter at the top). Loosen the phillips screw (see illustration) with a screwdriver and adjust the micro-switch position so that the micro-switch will be turned on when the tonearm has moved a little toward the turntable center (namely, to the mirror of the deck panel).



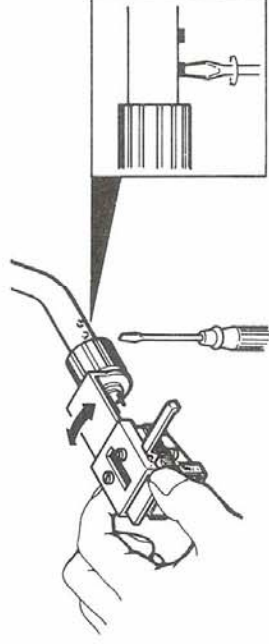
ADJUSTMENT OF AUTO-RETURN

There is a shaft which is accessible with an ordinary screwdriver through the hole below the tonearm. (See illustration at right.) When the stylus has reached a point approximately 55mm from the turntable center, turn the shaft clockwise or counterlockwise and select a position where it actuates the auto-return.



ADJUSTMENT OF HEADSHELL

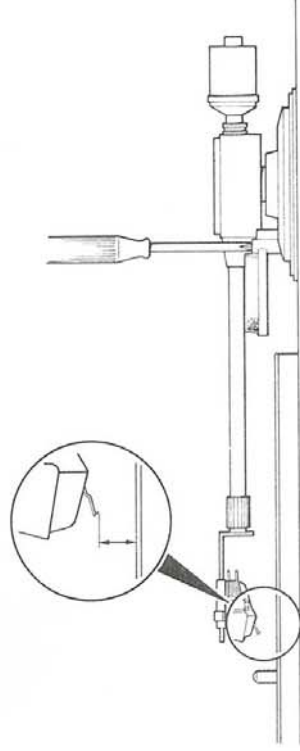
The headshell attached to the tonearm should not be inclined either to the right or to the left. If necessary, loosen the two screws on the bottom of the tubular arm and adjust the headshell. Be sure that the stylus is normal to the record surface.



ADJUSTMENT

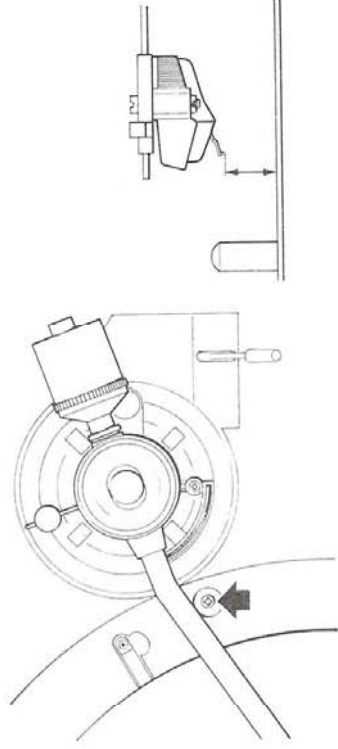
ADJUSTMENT OF TONEARM LIFTER

Set the cuing lever to UP and the distance between the stylus and the record to about 9mm by adjusting the arm lifter screw.



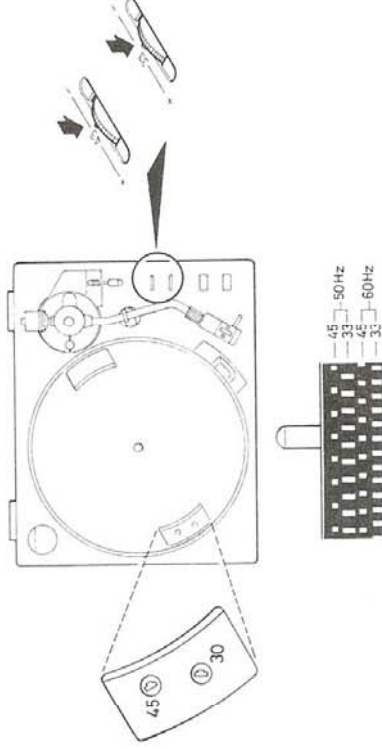
ADJUSTMENT OF LIFT-UP LEVER SPRING

Switch off power when the auto-return has worked and adjust spring tension to provide a clearance of 11mm between the stylus and the record.

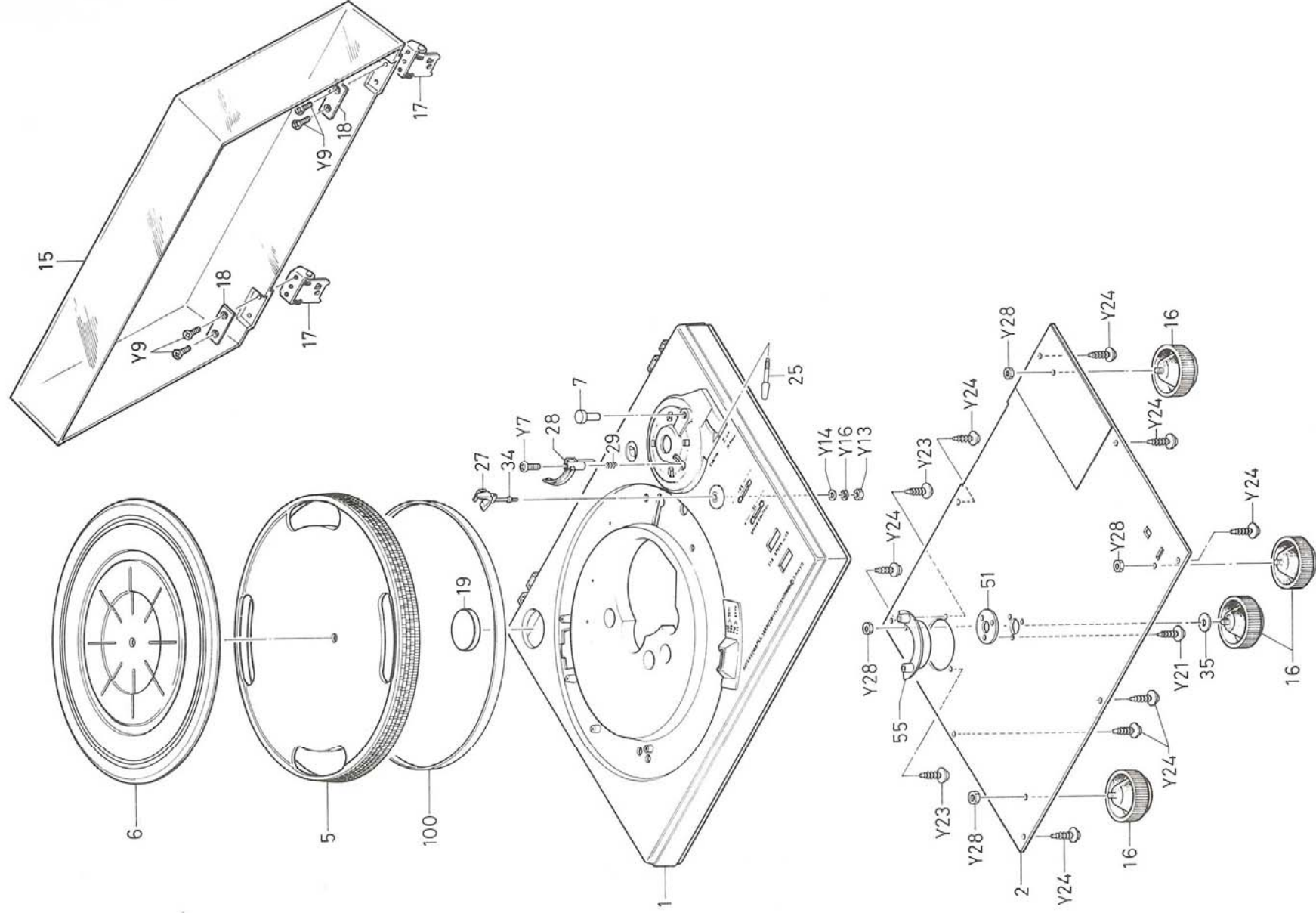


ADJUSTMENT OF TURNTABLE SPEED

Set the fine speed control dials to their center positions (each has three protrusions, of which only one can be set to the center). Make adjustment by inserting a screwdriver into the holes. When properly adjusted, the zebra strobo-scope marks on the turntable platter seem to be stationary at the selected speed.



CABINET EXPLODED VIEW

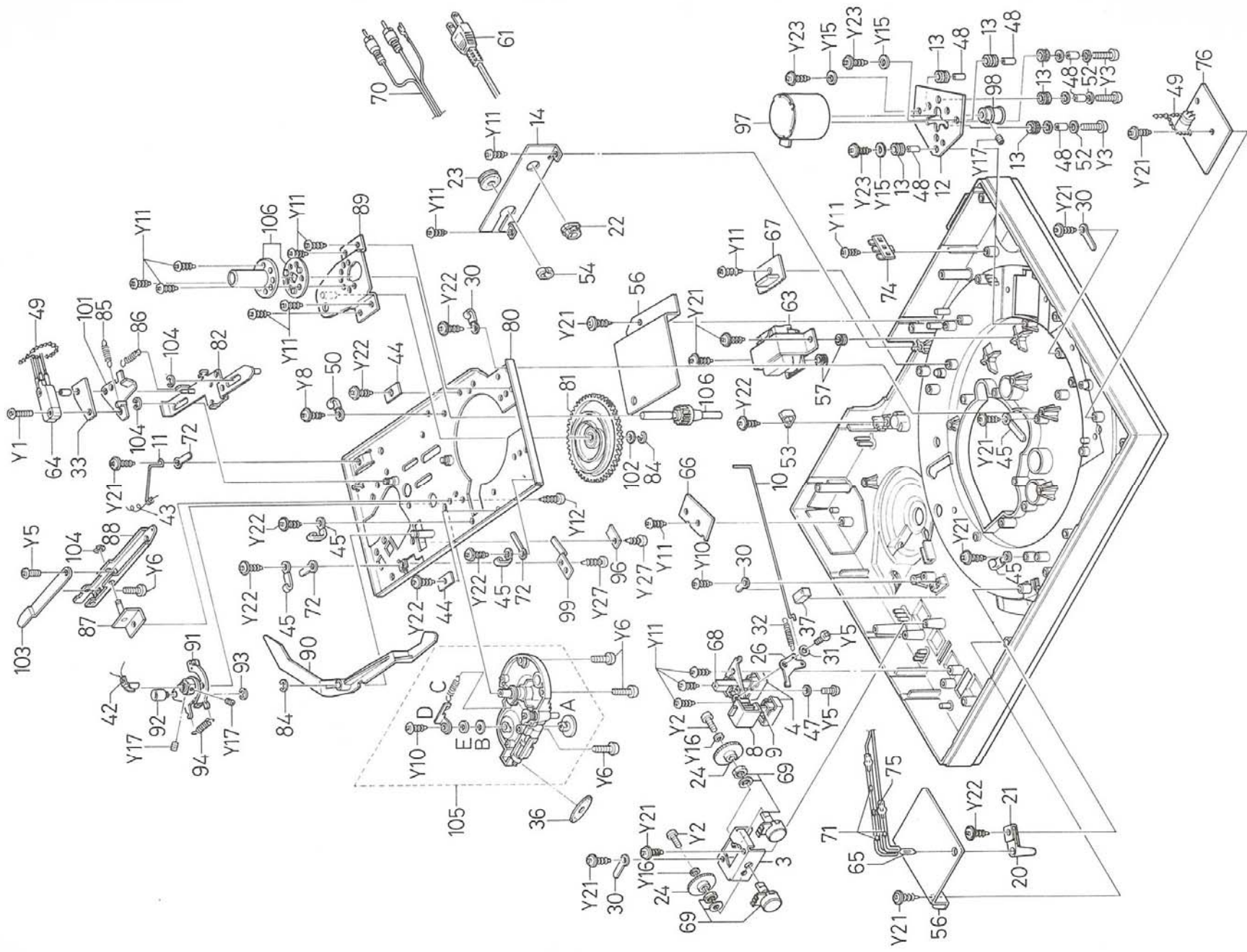


PARTS LIST

Ref. No.	Part No.	Description	Q'ty
PACKING			
	141-6-144T-44300	Styrol Filler, Side Pad	2
	141-6-316T-89300	Pad, Top Side	1
	141-6-316T-88500	Pad, Dust Cover	1
	141-6-113T-78702	Individual Carton	1
	141-6-231T-10200	Inner Polyethylene Bag, Power & Output Cord	2
	141-6-231T-10100	Inner Polyethylene Bag, & Main Weight & Lateral Balancer Pad, Turn Table Protect	4
	141-6-316T-80000	Rating Plate	1
	141-6-454T-15102	Caution Label, Voltage	1
	141-6-472T-06200	Customer Card	1
	141-6-493T-01100	Inner Polyethylene Bag, Set	1
	141-6-231T-60702	Inner Polyethylene Bag, Rubber Sheet & Turn Table	2
	141-6-231T-35402	Inner Polyethylene Bag, Inst. Book	1
	141-6-231T-25352	Hung Tag	1
	141-6-440T-02400	Inner Polyethylene Bag	1
	141-6-231T-10100	Pad, Mechanism Gear Fixer	1
	141-6-316T-95000		1
ACCESSORIES			
	161-6-410T-05100	Instruction Book	1
	141-2-862T-00400	Screw Driver, Lateral Weight Fixed	1
	141-2-687T-01600	Weight, Sub Weight Plate	1
	141-2-421T-23700	Special Screw, Cartridge	2
CABINET			
1	141-9-121T-01600	Deck Panel Assembly	1
2	141-2-126T-22601	Back Lid	1
3	141-2-361T-14300	Bracket, VR Mtg.	1
4	141-2-161T-47900	Push Button	1
5	141-2-118T-00500	Turn Table	1
6	141-2-246T-23001	Sheet	1
7	141-2-163T-46500	Rotary Knob, IFC	1
8	141-2-365T-38400	Bracket, Speed Select Switch Mtg.	1
9	141-2-731T-57500	Slide, Reject	1
10	141-2-852T-45600	Wire Spring, Reject	1
11	141-2-882T-45700	Wire Spring, Earth	1
12	141-2-378T-09000	Bracket, Motor Mtg.	1
13	141-2-447T-38600	Cushion, Motor Bracket Mtg.	1
14	141-2-367T-30602	Bracket, Output Cord	6
15	141-9-194T-00301	Stand Assembly	4
16	141-0-174T-00600	Hinge, Dust Cover Mtg.	4
17	141-2-251T-06102	Bracket Mounting, Dust Cover Mtg.	2
18	141-2-351T-37300	Spacer, 45 Adaptor	2
19	141-2-352T-19900	Rubber Cushion, Neon Lamp Mtg.	1
20	141-2-445T-19701	Bracket, Rubber Cushion (20) Mtg.	1
21	141-2-310T-06600	Fixer, Power Supply Cord Exit.	1
22	141-2-464T-11800	Rubber Cushion, Output Cord Exit.	1
23	141-2-445T-16000	Rotary Knob, Speed Adjust	2
24	141-2-163T-41100	Lever Assembly, Arm Lifter	2
25	141-0-741T-21000	Lever, Reject	1
26	141-2-742T-07300	Rest Assembly, Arm Rest	1
27	141-0-873T-00200	Lifter Assembly	1
28	141-0-872T-00200	Coil Spring, Lifter Mtg.	1
29	141-2-855T-14200	Lug, Wire Spring Fixer	1
30	123-2-472R-00401	Ring, Reject	1
31	141-2-683T-28900	Coil Spring, Reject	1
32	141-2-851T-73300	Spacer, Micro Switch (64) Mtg.	1
33	141-2-352T-24800	Ring, Arm Rest Stopper	1
34	141-2-683T-32401	Spacer, Adjust Leg Height	1
35	141-2-352T-25300	Veil, Arm Lifter Lever Cover	1
36	141-2-241T-20400	Cushion, Reject Wire	1
37	141-2-447T-45700	Rope 0.5px50mm	1
42	141-2-472T-06800	Lug, Arm Shaft	1
43	141-2-340T-00200	Plate Nut, Mechanism Chassis Mtg.	1
44	141-2-411T-03901	Lug, Lead Retainer	2
45	141-2-472T-01201	Ring, Speed Select Switch Mtg.	5
47	141-2-683T-33700	Pipe, Motor Mtg.	6
48	141-2-461T-30800	Fixer, Motor Mtg.	2
49	141-2-464T-08700	Lug, Micro Switch Lead Retainer	1
50	141-2-472T-01202	Ring, Turn Table Shaft Fixer	1
51	141-2-683T-33800	Washer, Motor Bracket Mtg.	3
52	141-2-453T-01700	Fixer, Output Lead Mtg.	1
53	141-2-464T-28500	Spacer, Output Cord Fixer	1
54	141-2-464T-29400	Cover, Motor	1
55	141-2-352T-30800	Cover, PT	1
56	141-2-135T-53500	Rubber Cushion, PT Mtg.	1
57	141-2-445T-05000		2

Ref. No.	Part No.	Description	Q'ty
ELECTRICAL PARTS			
61	4-243R-10192	Power Supply Cord	1
63	4-251T-77500	Power Transformer	1
64	4-231T-61971	Switch, Power Supply	1
65	4-612T-07000	Lamp, Strob	1
66	4-230T-19400	Printed Circuit Board Assembly, AC Relay	1
67	140-9-230T-57201	Terminal	1
C2	4-223T-04900	-Capacitor 0.047μF	1
	4-237T-00100	-Terminal	3
68	4-231T-70200	Push Switch, Speed Select	1
69	4-222T-51572	Variable Resistor 5k(B)	2
70	4-243T-15171	Lead Cord, Output Cord	1
71	141-2-382T-05300	Terminal, Neon Lamp Fixer	3
72	123-2-472R-00600	Lug, Earth	2
73	141-2-382T-07100	Terminal Clip	1
75(R1)		Carbon or Solid Resistor 12k ±10%	1
76	140-9-230T-66602	1/2W, Neon Lamp Mtg.	1
		Printed Circuit Board Assembly, Power	1
SVR2	4-222T-39476	-Semi Fixed Resistor 20k (B), 45 Speed Adj.	1
SVR1	4-222T-39477	-Semi Fixed Resistor 50k(B), 33 Speed Adj.	1
	4-237T-00100	-Terminal Board	9
		-IC NJM78L12A	1
D1		-Diode DS18	1
D2		-Diode DS17	1
C1		-Electrolytic 330μF 25WV	1
C3		-Electrolytic 100μF 16WV	1
C4		-Ceramic 0.01μF +80-20% 50WV	1
R2		-Carbon Resistor 680 ohm ±10% ½W	1
SCREW MOUNTING			
Y1		Pan Head Screw 3x14mm	1
Y2		Pan Head Screw 2.6x6mm	2
Y3		Pan Head Screw 2.6x8mm	3
Y4		Pan Head Screw 3x4mm	1
Y5		Pan Head Screw 3x6mm	4
Y6		Pan Head Screw 3x8mm	5
Y7		Pan Head Screw 3x10mm	1
Y8		Pan Head Screw 4x10mm	1
Y9		Flat Head Screw 4x14mm	4
Y10		Tapping Screw 2.6x6mm	4
Y11		Tapping Screw 3x8mm	17
Y12		Tapping Screw 3x12mm	3
Y13		Nut 2.6mm	1
Y14		Washer 2.6mm	1
Y15		Washer 3x10x0.5mm	1
Y16		Spring Washer 2.6mm	3
Y17		Hexagon Socket Head Bolt 3x4mm	3
Y18		Headless Screw 4x4mm	2
Y19		Spring Washer 3mm	2
Y20		Washer 3x8x0.5mm	2
Y21		Tapping Screw with Washer 3x8mm	16
Y22		Tapping Screw with Washer 3x10mm	11
Y23		Tapping Screw with Washer 3x12mm	5
Y24		Tapping Screw with Washer 3x14mm	8
Y25		Flat Head Screw 2x10mm	1
Y27		Tapping Screw with Washer 3x6mm	2
Y28		Nut 3mm	6

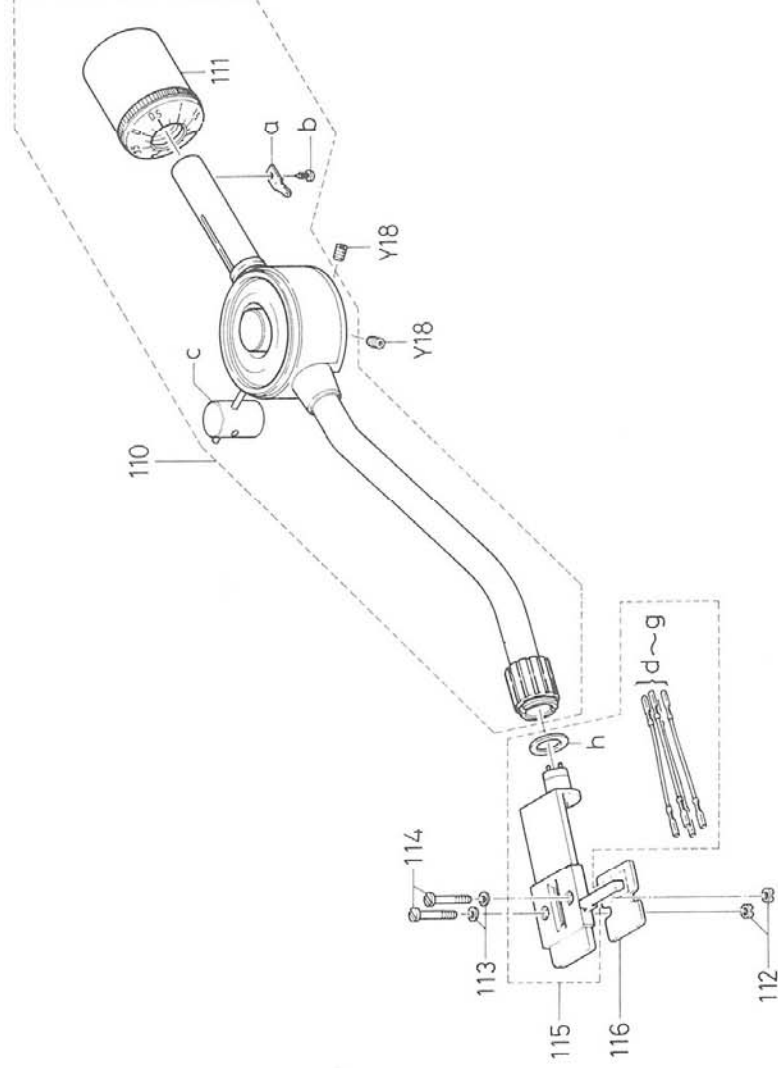
MECHANISM EXPLODED VIEW



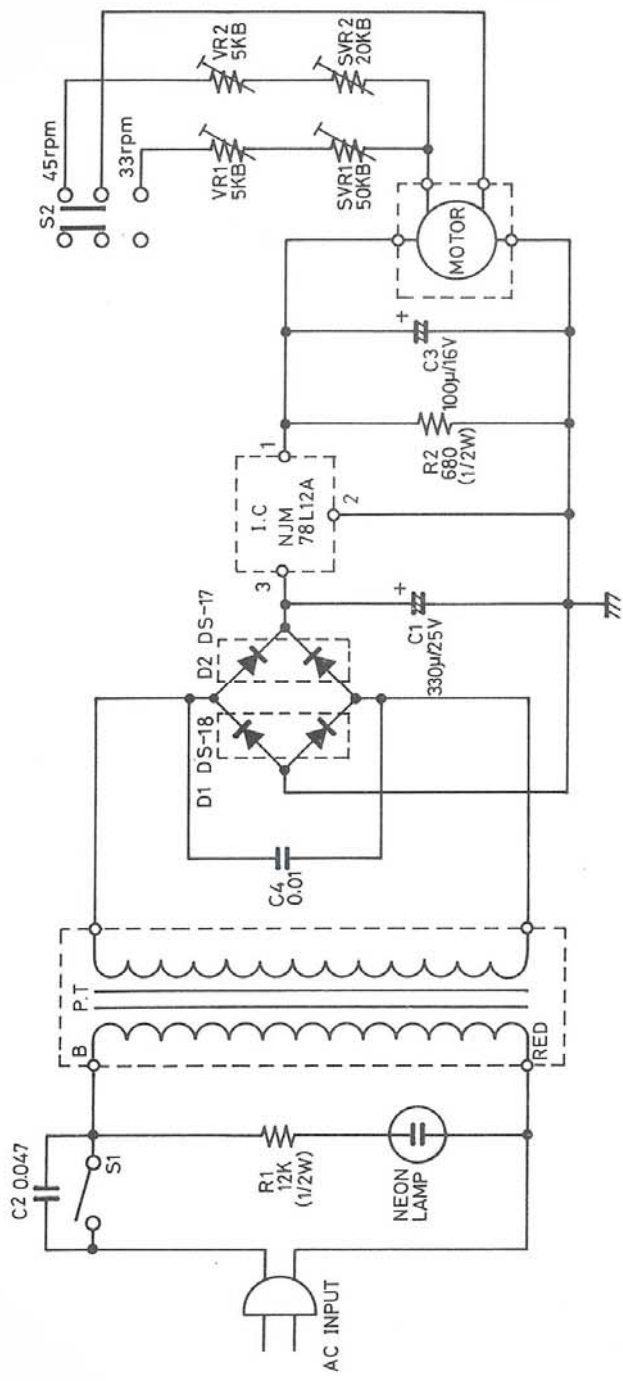
PARTS LIST

Ref. No.	Part No.	Description	Q'ty	Ref. No.	Part No.	Description	Q'ty
TURNTABLE MECHANISM							
80	141-0-311T-06700	Chassis Assembly	1	110	141-9-743T-00300	Arm Assembly	1
81	141-0-581T-00800	Gear Assembly	1	a	141-2-853T-53900	Spring Plate	1
82	141-0-731T-15800	Slide Assembly	1	b		Pan Head Tapping Screw 2x4mm	1
83	141-2-246T-26501	Sheet	1	c	141-2-687T-01500	Weight	1
84	141-2-457T-23200	Special Washer	2	111	141-9-687T-00100	Weight Assembly	1
85	141-2-851T-99500	Spring Coil	1	112	141-2-417T-18100	Stud Nut	2
86	141-2-855T-14700	Spring Coil	1	113	141-2-453T-32200	Washer	2
87	141-0-747T-02400	Bracket Lever Assembly	1	114	141-2-421T-23701	Special Screw	2
88	141-0-741T-20700	Lever Assembly	1	115	141-9-286T-00100	Head Shell Assembly	1
89	141-0-351T-01300	Bracket Mounting Assembly	1	d	4-243T-15800	Lead Cord, LH	1
90	141-2-742T-06700	Lever	1	e	4-243T-15871	Lead Cord, LE	1
91	141-0-741T-20901	Lever Assembly	1	f	4-243T-15872	Lead Cord, RH	1
92	141-2-753T-19700	Shaft	1	g	4-243T-15873	Lead Cord, RE	1
93	141-2-457T-23101	Special Washer	3	h	141-2-445T-20300	Rubber Cushion	1
94	141-2-851T-73500	Spring Coil	1	116	141-2-687T-01600	Weight, Sub	1
96	141-2-464T-25800	Fixer	1				
97	4-527T-10800	Motor	1				
98	141-2-661T-71800	Pulley, Motor	1				
99	141-2-853T-53400	Spring Plate	1				
100	141-2-561T-04200	Flat Belt	1				
101	141-2-365T-36700	Bracket Switch	1				
102	141-2-453T-30701	Washer	1				
103	141-2-853T-51100	Spring Plate	1				
104	141-2-457T-23100	Special Washer	1				
105	141-0-174T-00401	Stand Assembly	1				
A	141-2-753T-23402	Shaft	1				
B	141-2-457T-12201	Special Washer	1				
C	141-2-855T-17001	Spring Coil	1				
D	141-2-742T-08901	Lever	1				
E	141-2-453T-21500	Washer, or	1				
	141-2-453T-30800	Washer, or	2				
106	141-0-751T-02800	Shaft Assembly	1				

ARM EXPLODED VIEW

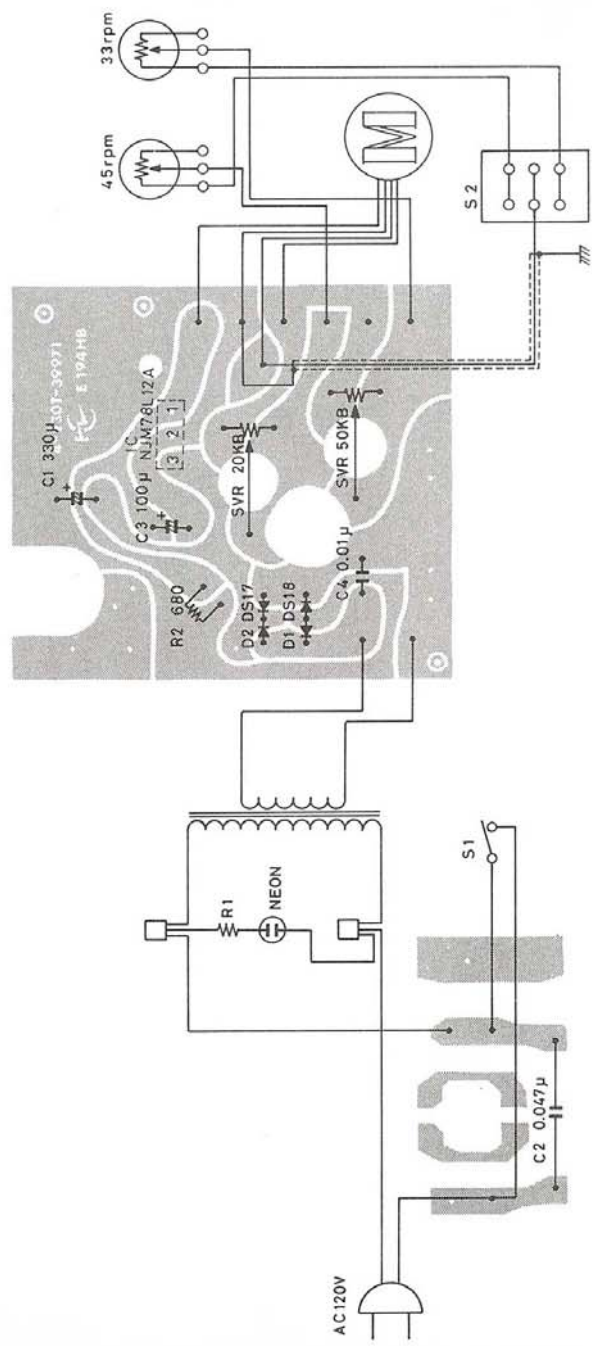


SCHEMATIC DIAGRAM



S1---POWER SWITCH
S2---SPEED CHANGE SWITCH

WIRING DIAGRAM



SANYO ELECTRIC INC.
1200, West Artesia Blvd.,
Compton, California 90220

Feb./'78/7100

Printed in Japan